



### VHX-73C-PU

Dakota Digital VHX Instrument Installation  
For 1973 - '87 Chevy & GMC Pickups (Includes Heavy-Duty Trucks Through 1991)  
1973 - '91 Chevy Blazer & GMC Jimmy  
1973 - '91 Chevy & GMC Suburban

Your new VHX-73C-PU kit includes:

#### VHX Display



#### Universal Sender Pack



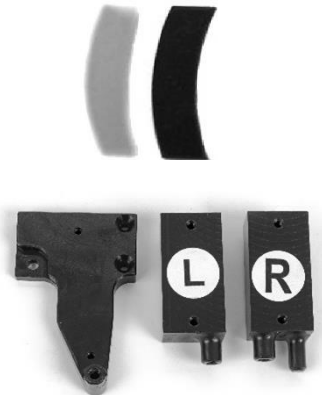
#### Installation Manuals



#### (2) Turn Signal Harnesses



#### Gear Indicator Lenses (clear and blacked-out)



#### Switch Assembly



#### (4) 6-20 x 1/2" Pan Head Screws

#### CAT5 Cable

#### Control Box

#### Mounting Tabs



#### (2) 6-20 x 3/4" Flat Head Screws

## Installation

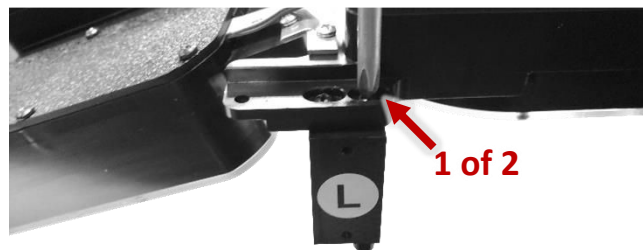
1. First, remove the 10 screws holding the bezel to the dash. Remove the stock instrument cluster, making sure to retain the four original instrument cluster screws for mounting the Dakota Digital VHX system later.
2. Fasten the three included mounting tabs to the VHX system.

Attach the tabs marked with "L" and "R" labels to the left and right sides of the speed and tach gauges respectively. This will require the four included **6-20 x ½" pan head screws**. Insert the screws into the slots on the back side of the system, directly behind the mounting tabs. Partially tighten these screws for now, do not fully torque them down yet.



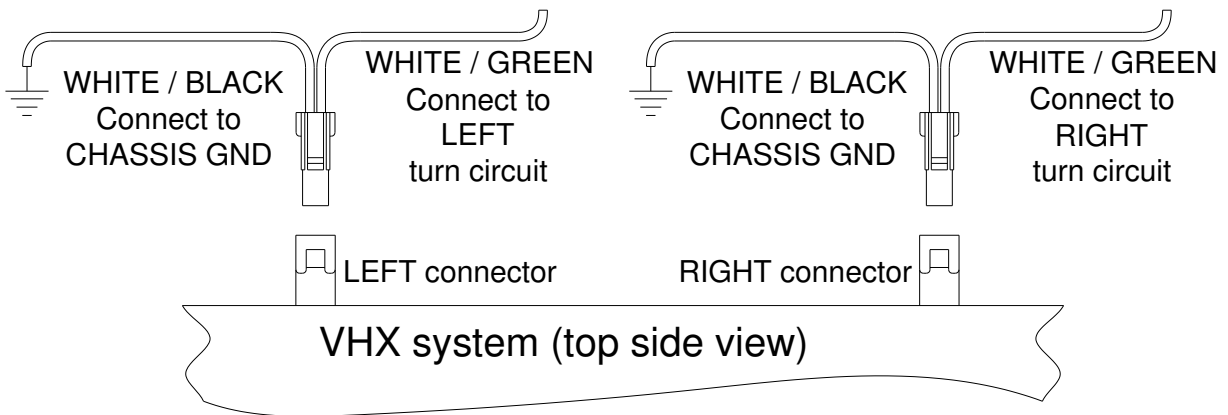
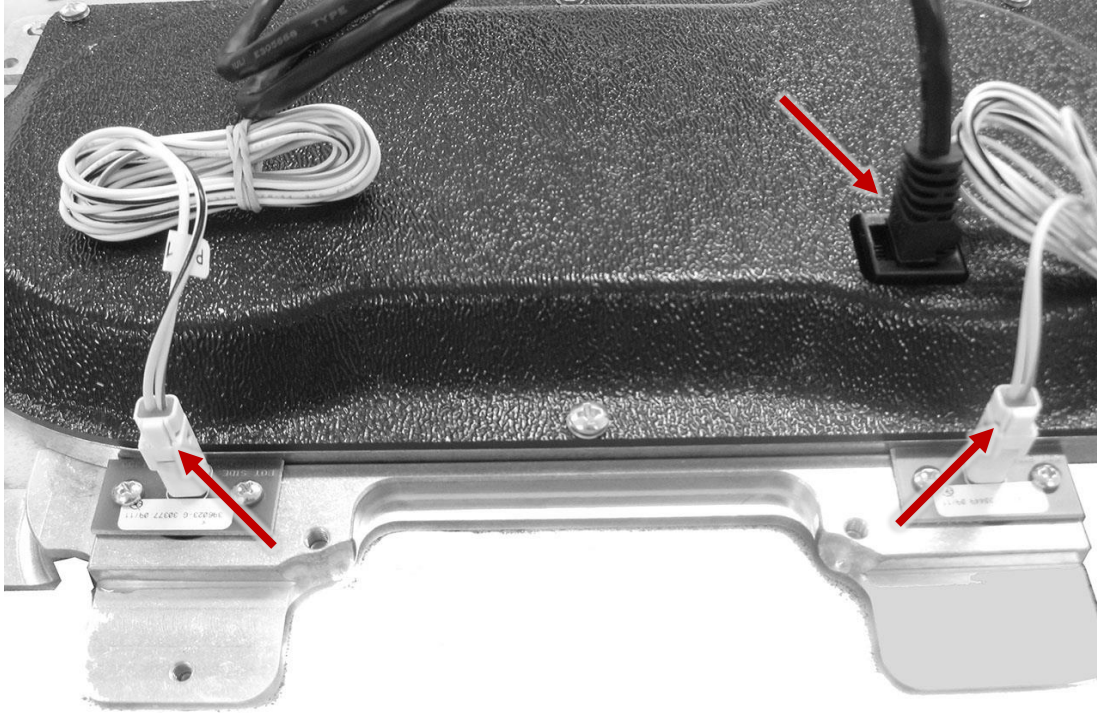
The remaining unlabeled tab goes on the bottom left side of the system, between the satellite gauges. Making sure the countersunk side of the tab is facing away from the rest of the unit, fasten this tab to the VHX system with the two included **6-20 x ¾" flat head screws**. This tab can be tightened until flush.

3. Due to differences in bezels, there is some adjustability built in to the VHX system. Test fit the VHX display to your bezel and align the top to the guides in the slots. When satisfied with the fitment, tighten the screws.

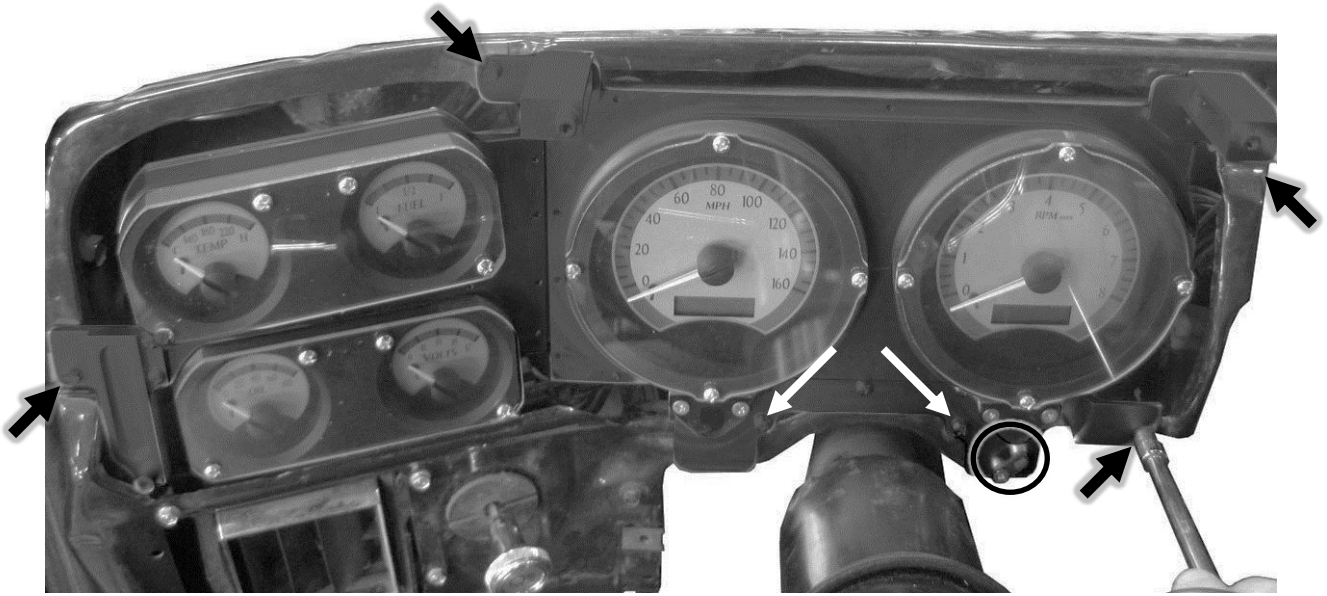


4. Attach the CAT5 cable to the VHX cluster and the two harnesses to use the stock blinker location if so desired. This system comes with two options for the turn signals in your dash. You can either have arrows located in the faceplate of your new VHX display, and/or arrows in your vehicle's stock turn signal locations. To use the new faceplate arrows, follow the wiring instructions for the turn signals found in the main VHX manual.

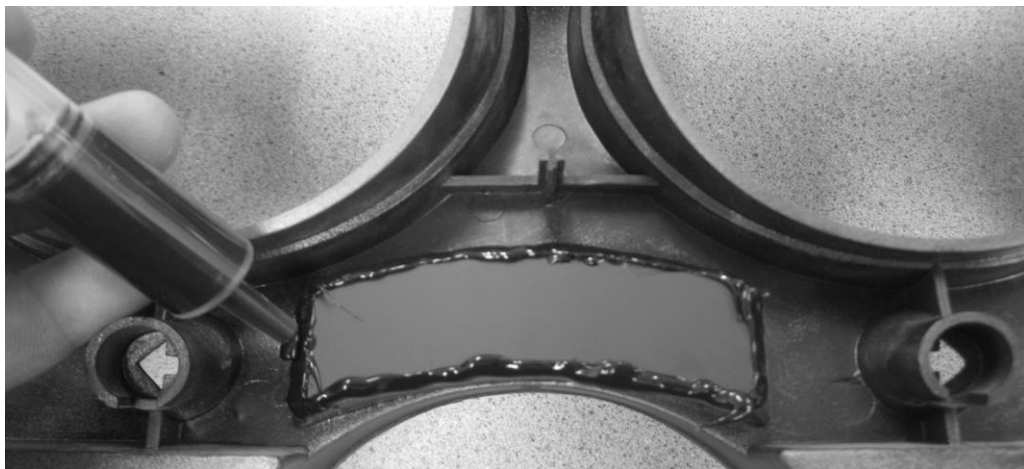
- 4a. To optionally use the stock turn signal arrows, do not wire the turn signals to the VHX control box. Instead, use the two provided two-wire harnesses. The harnesses plug directly into connectors on the back side of your new VHX system. Connect the wires from these harnesses to your turn signal circuit and ground as shown below. Doing this will light green LED bulbs, located in the original locations of your dash panel, when turn signals are active. Make sure to check left and right to verify they are wired correctly.



5. Carefully route the CAT5 cable through the dash to the control box mounting location and attach the VHX display to the dash using the four screws removed in Step One (see black arrows below).



- 5a. If using the stock automatic gear selector: glue the supplied clear lens over the gear selector opening in the bezel and mount the gear selector on the VHX dash using the two factory screws (white arrows in photo above). Route the pull wire through the guide, just below the right-hand screw (black circle in photo above).
- 5b. If using the optional GSS-universal gear indicator: glue the dark lens over the gear selector opening.



6. Install the stock bezel over the VHX gauge cluster using the stock screws removed in Step One. Tighten the locations shown below (white arrows) first to ensure proper fitment and alignment; if the holes are not aligned correctly, Step Three may need to be repeated.



7. Refer to the main manual for wiring instructions to complete the VHX installation.

**⚠ WARNING:** This product can expose you to chemicals including lead, which is known to the State of California to cause cancer and birth defects or other reproductive harm. For more information go to [www.P65Warnings.ca.gov](http://www.P65Warnings.ca.gov)



4510 W. 61st St. North  
Sioux Falls, SD 57107  
www.dakotadigital.com  
dakotasupport@dakotadigital.com

Phone (605) 332-6513  
Fax (605) 339-4106

© Copyright 2022 - Dakota Digital